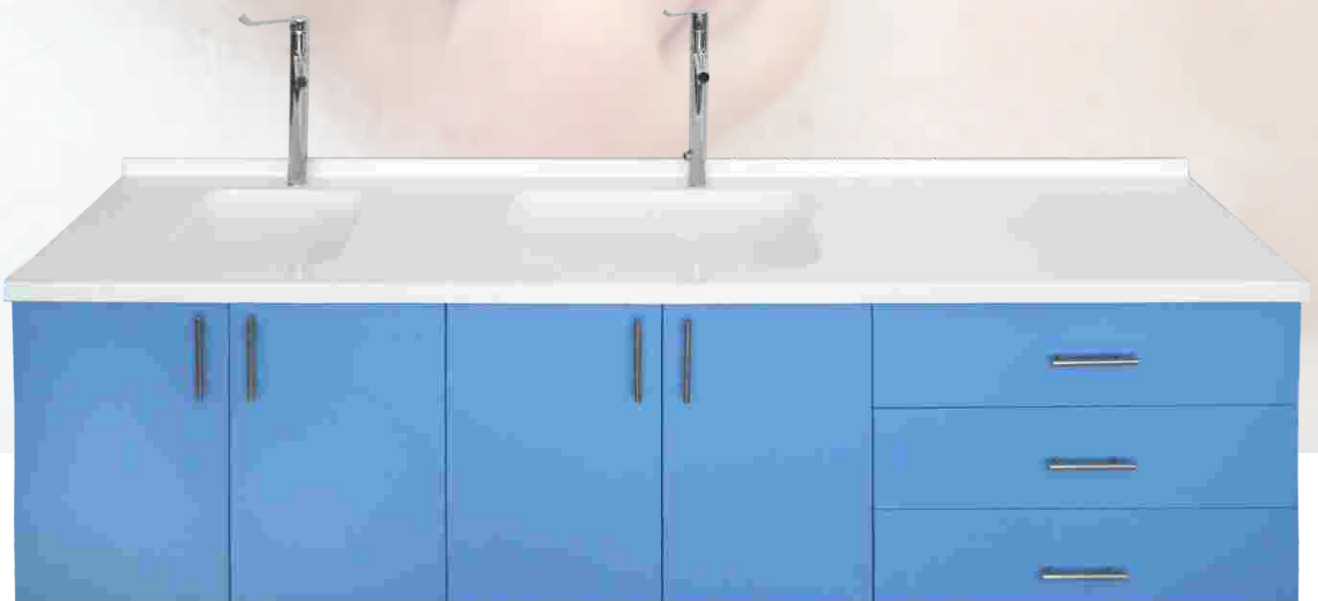


# HOSPIASEPT NEONAT



**ASEPTIC NEONATAL EQUIPMENT**

# HOSPIASEPT® Neonat

Best conditions for newborns

Neonatal infection is a priority issue due to increased morbidity and mortality.

In maternities and in areas at high risk of nosocomial infections (intensive care, surgical unit, neonatal units), the requirements for the best hygiene for newborns are a priority.

Thanks to a modern production process and the diversity of designs, colors and possible combinations, our products can be tailored both to the available space and the personal requirements in an optimal way.



## HOSPIASEPT® Neonat

HOSPIASEPT Neonat hygiene unit is a powerful solution that has preventative action helping to eliminate the risks of nosocomial infections.

Depending on your needs, HOSPIASEPT Neonat unit is composed of 1, 2 or 3 modules:

- module I – for medical personnel with a 450 x 450 x 150 mm washstand and a mask equipped with baskets for waste collection
- module II – for newborn washing equipped with a small bathtub which is supplied with sterile water - dimensions 700 x 450 x 150 mm and mask for sterile water production plant
- module III – for newborn care, with three sliding metal baskets for storage.

*Optionally, the unit can be extended with any type of furniture fitted with worktop, in accordance with the required dimensions and designs.*



*"For the removal of microorganisms, filtration is carried out by sterile bacteriological filters" or by "sterile filter membranes made of synthetic polymers or cellulose esters. The pore diameter of the filter membranes shall be not more than 0.22 μm".*

Romanian Pharmacopoeia

## Advantages

- Higher hygiene conditions;
- Safety in use;
- Aesthetic, flexible design that can adapt to existing space;
- Modules can be arranged either linearly or at the corners;
- The material used is composite marble, with a homogeneous, non-porous structure;
- Surface resistant to temperature variations, scratches and abrasion, according to the SR EN 14688 standard;
- Surface resistant to commonly used disinfectants for medical equipment.
- Colored substance-resistant surface - betadine and methyl blue leave no trace



## Higher hygiene conditions

- Both washing stations are equipped with a single working post, with the following characteristics that prevent the proliferation of bacteria:
- it is equipped with 2 easy to dismantle interchangeable water pipes for disinfection (while one can be used, the second can be sterilized);
- a shock-resistant water pipe with an aerator and hygienic dispenser, that prevents impurities from being retained;
- the height at which the water pipe is located limits the risk of its retro-contamination;
- wash sinks and top countertop are one piece made of composite marble with rounded edges to minimize the risk of germ growth at joints;
- the surfaces of the wash sinks are slightly inclined to prevent water accumulation;
- the surfaces of the aseptic neonatal unit are treated by coating with an antibacterial gel coat.

## Safety in use

- the water supply is switched on / off only in the "cold water" position ;
- limitation of the maximum wash temperature to 38 ° C and the impossibility of changing the pre-setting by the operator;
- an accuracy of ± 1,5 ° C between 34 ° C and 38 ° C;
- in case of cold water shortage there is an instant stop of hot water supply (in about 5 seconds);



# HOSPIASEPT NEONAT - A POWERFUL SOLUTION FOR ELIMINATING THE RISKS OF NOSOCOMIAL INFECTIONS



- washstand is made of a single piece of composite marble with a min. thickness of 20 mm., with antibacterial treated surface resistant to detergents, disinfectants for medical use and colored substances
- the sinks of the washstand are made of the same material – composite marble, are integrated into the worktop and have rounded edges for perfect hygiene
- the temperature of the water supplied is up to 38 ° C to prevent the newborn's thermal burns

- Optionally, the worktop can be provided with a lateral plinth of at least 40 mm

- the worktop is fitted with a plinth to the wall with a minimum height of 40 mm to avoid infiltration of water between the washstand and the wall.



- metal chrome-plated wire baskets for storing newborn materials and textiles;
- load of each metal basket - 50 kg;
- metal baskets mounted on damping slides;
- dimensions of the metal basket: 900 x 500 x 200 mm

*(other dimensions / configuration on request).*



HOSPIASEPT Neonat 3M - ANS aseptic neonatal equipment



## WATER FILTRATION AND PURIFICATION BLOCK (optional)

- depending on the quality of the water in the network and the water quality requirements provided for the three filter stages, filters between 50 µm and 0,2 µm can be used.
- specific medical use for areas with high risk of contamination (I.C.U, surgery rooms, hematology, N.I.C.U., P.I.C.U., etc.)
- perfectly designed to minimize any risk of transmission of nosocomial infections



## ERGONOMIC DESIGN

- easily removable water pipe for disinfection;
- a shock-resistant water pipe with an aerator and hygienic dispenser, that prevents impurities from being retained;
- the height at which the water pipe is located limits the risk of retro-contamination;
- high reliability of washing stations;
- integrated flow regulator of 5 l/min
- elbow operated lever.



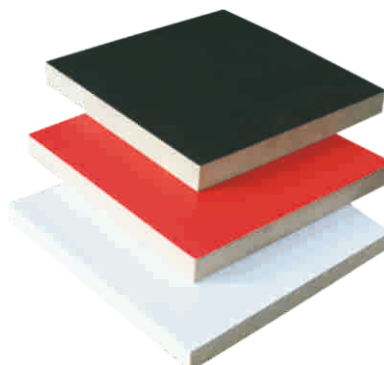
- the lower part of the equipment can be provided with stainless steel plinth or metal legs



- optionally, water pipe for children, Pinocchio (electrostatically painted or made of stainless steel)



- siphon decanter 50 mm diameter container, according to SR EN 274 standard
- fully chrome-plated, removable overflow and overflow cap



- the material for the side parts and worktop doors is made of melamine fibreboard with a 2 mm ABS edge thick on all sides for easy maintenance



## ACCESSORIES



### Soap/disinfectant dispenser

- wall dispenser for 0.5 liter or 1 liter soap or hand disinfectant;
- actuation of the lever with elbow or actuation via photocell (no touch);
- plastic or stainless steel case;
- efficient and economical dosing;
- the amount of soap / disinfectant distributed can be adjusted.



### Photoemissive cell-operated washing system (optional)

- photoemissive cell-operated single control washing system (no touch);
- power supply or power from a 6 V lithium battery;
- automatic purification program for 45 seconds within 24 hours of the last purification to avoid water stagnation, bacterial proliferation in the sewage system.



### Metal baskets & separators

- for optimal use of the storage space of newborn nappies, metal racks and separators can be used as accessories configured according to the needs of the department served;
- baskets can be used in combination with wall support panels, support frames and telescopic slides;
- separators are used to divide the baskets;
- baskets and separators are available in the following colors: Gray (ABS), Beige (ABS) and Transparent (PC).

## SUPPLIES



### Filter elements - water filtering and purification system (optional)

- ensures optimization and prevention of premature clogging of the final filter of 0.2  $\mu\text{m}/10''$ ;
- pharmaceutical grade
- total bacterial retention in the presence of *Brevundimonas diminuta*, ATCC 19146 strain
- steps used according to the water quality in the network: between 50 $\mu\text{m}$  and 0.2  $\mu\text{m}$
- absolute retention is achieved through the 0.2  $\mu\text{m}$  membrane (pure microbiological water);
- lengths: 10'' or 20'' (depending on the flow);
- polypropylene fiber filter type PEPLYN NE and PROPLEAT PP.

## COMPOSITE MARBLE - AVAILABLE COLOURS



White

White - grey

White - beige

Grey

Beige

Other colors or materials: on request

## FURNITURE -AVAILABLE COLOURS

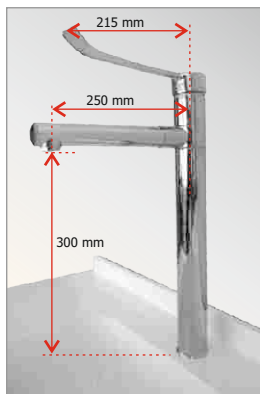
- White
- Blue
- Green
- Pink
- Mauve
- Yellow



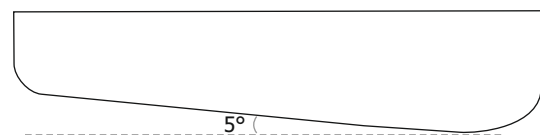
Other colours: on request

## DIMENSIONS

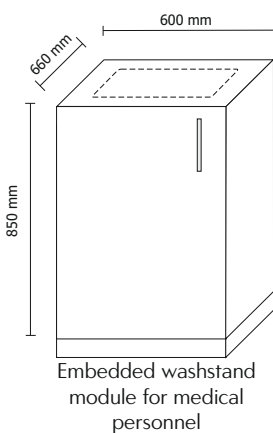
Configuration	L (mm)	l (mm)	h (mm)
Washstand module for medical personnel	600	660	850
Washstand module for newborns	900	660	850
Assistance module for newborns	900	660	850



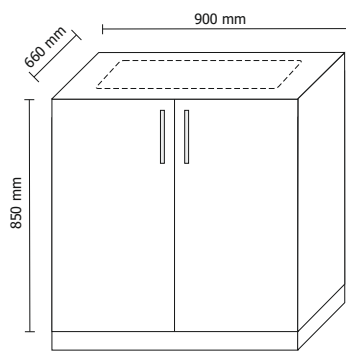
Washing system dimensions (module for the newborns)



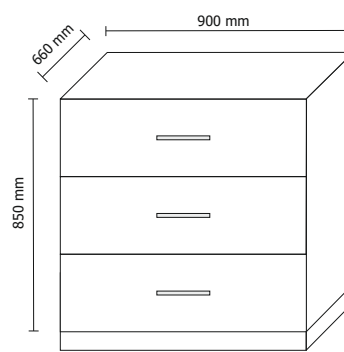
The lower part of the washstand is inclined at an angle of 5° to prevent water stagnation and bacterial proliferation



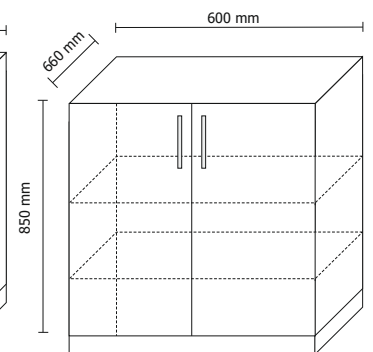
Embedded washstand module for medical personnel



Embedded washstand module for newborns



Assistance module for newborns



Storage mode (optional) models, configurations, dimensions - on request

Note: the dimensions and configuration of the assembly can be adjusted as needed.



## TECHNICAL DETAILS

### Cold / hot current water supply

Pressure	max. 10 bar
Flow rate	min. 0,5 m <sup>3</sup> /h
Hot water temperature	55°C - 85°C
Cold water temperature	5°C - 25°C
Socket	1/2" - 3/4"

### Drainage

Water drainage connection	40
---------------------------	----

### Supplied water parameters

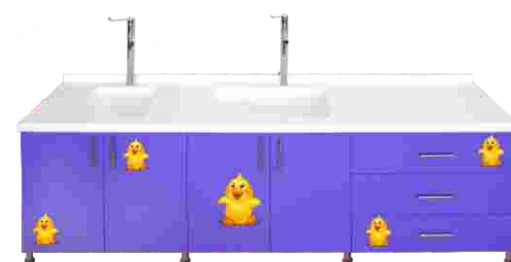
Pressure	max. 5 bar
Flow rate	5 l/min ÷ 7 l/min
Temperature	34°C - 38°C ± 1,5°C

### Classification and standards

Risk class acc. to Dir. 93/42 CEE I  
CE marking  
SR EN 60601 - 1: 2007 (electric version)  
SR EN 60601 - 1-2: 2007 (electric version)  
SR EN ISO 14971: 2012  
SR EN 14688:2006

### Power supply (photoemissive cell-operated version)

Power supply	230 V
Rated frequency	50 Hz
Voltage	24 V AC/DC
Maximum current	1 A
Maximum absorbed power	20 - 100 W
Electrical protection class	IP 65
Power consumed in stand-by mode	1 W/h



HOSPITAL TECHNICAL SOLUTIONS SRL reserves the right to make changes that may affect the information contained in this brochure without prior notice and without affecting previously delivered devices, in order to improve the products and services supplied.  
Note: Images are provided in this catalog for information purposes only.



HOSPITAL TECHNICAL SOLUTIONS S.R.L. | 44 Dudesti-Pantelimon St., 3 District 033091, Bucharest, Romania  
T. +4037.142.8072 | F. +4037.160.6594 | office@hospitalsolutions.ro